

# SWITCHGEAR FIBERGLASS BOX PAD INSTALLATION (FOR SERIES 11F, 45, 52F & 64F SWITCHES)

REVISION: Updated Format, Details & Notes

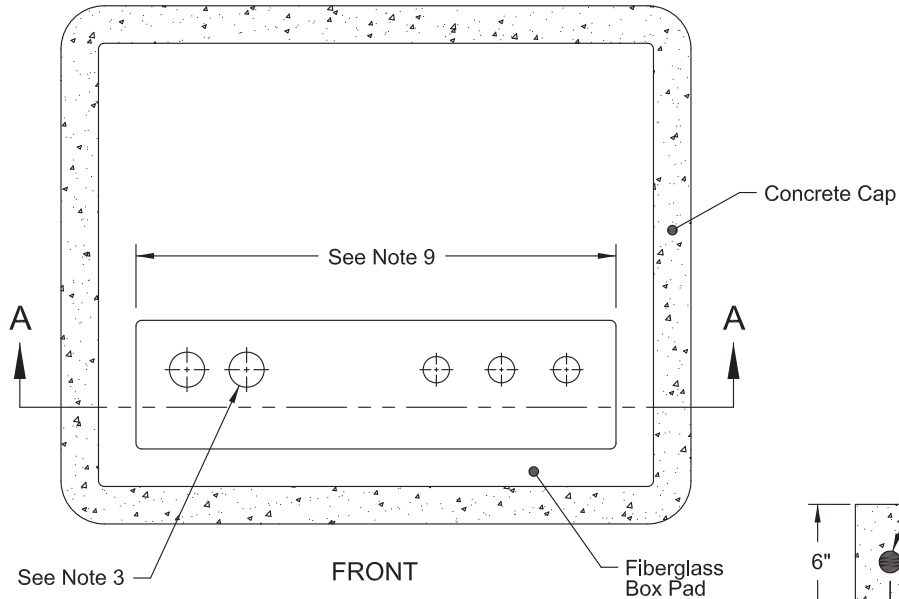
CHECKED BY  
 (ENGINEERING): JRS

DATE: 12/03/18

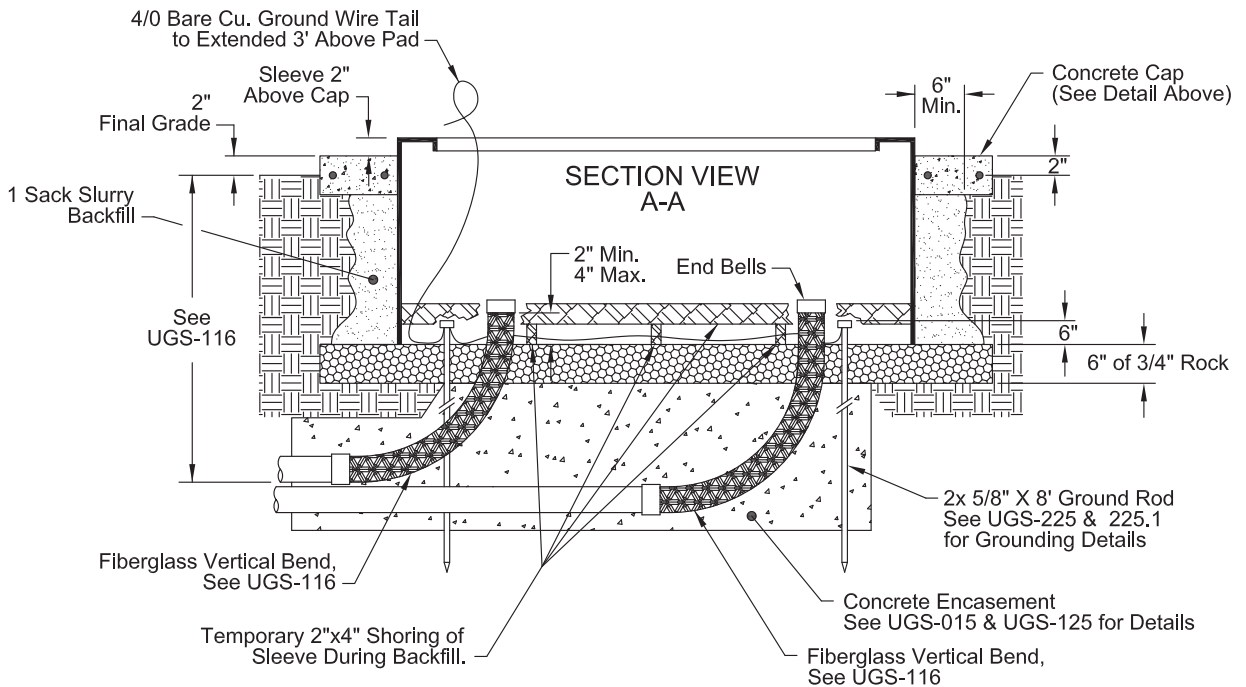
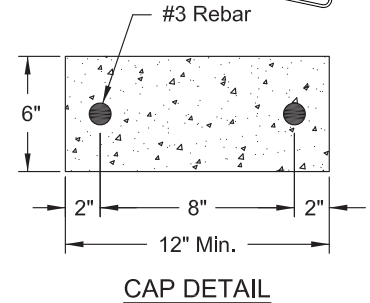
CHECKED BY  
 (FIELD): JH

PREPARED  
 BY: SJR

APPROVED BY: *Stephen E. Saford*



**MAINTENANCE ONLY**  
 NOT FOR NEW CONSTRUCTION



**Notes:**

1. See UGS-011.1 for Box Pad requirements.
2. Termination compartments of the switchgear are to be installed to the front of the box pad.
3. See UGS-661.1 for Conduit placement for specific Switchgear configuration.
4. Barrier posts are required per UGS-290.
5. Refer to UGS-225 & UGS-225.1 for Grounding Requirements.
6. Conduit sweeps shall be encased with concrete per UGS-125 and UGS-015 mix #4003.
7. Contractor shall provide temporary 2"x4" shoring during backfill. Backfill shall be a 1 sack slurry mix.
8. Vertical Sweeps shall be fiberglass, See UGS-116 for Fiberglass Sweep Details.
9. Modern Switchgear Cabinets Sizes for 11F, 52F & 53F have been revised to have larger cable access of 75-5/8 (same size opening as 64F)". If maintenancing existing existing Switchgear or Fiberglass Sleeve Installation verify item to be replaced will be compatible with existing infrastructure.